

# New Products



- Micromeritics 750 Solvent Delivery system uses a dual-piston, reciprocating design to permit constant flow, continuous delivery, and to eliminate pulses. Typical flow precision is better than  $\pm 0.50\%$  at flow from 0-20 ml/min and pressures to 6,000 psi, the firm says. Details: Micromeritics Instrument Corp., 5680 Goshen Springs Rd., Norcross, GA 30093.

- Cahn Instruments' Automatic Electrobalance can weigh a sample as heavy as 50 mg to a sensitivity of 0.001 mg directly, without mechanical tarring or substitute weighing, the firm says. The instrument's expanded range permits sensitivity of 0.0001 mg with 5 mg samples, and 0.01 mg with 500 mg samples. Details: Cahn Instruments/Division of Ventron Corp., 2500 Newport Center Drive, Newport Beach, CA 92660.

- RBR Industries Inc. is marketing a computerized electronic bench scale, Model 900/OZ, that has no moving parts; the unit has a rated capacity of 100 pounds. The microprocessor-based console displays weight in pounds and ounces in 0.5 ounce increment. Details: RBR Industries Inc., 1040 S. Raymond Ave., Fullerton, CA 92631.

- Bel-Art Products' new Mini-Sieve features a complete miniature sieve set with standard 25, 35, 45, 60, 80, 120 and 170 screens. Sieve diameter is 51 mm. Details: Bel-Art Products, Pequannock, NJ 07440.

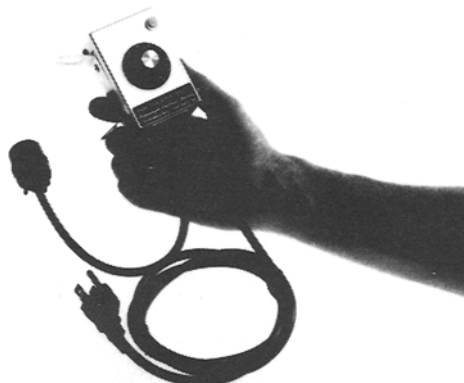


- Bull & Roberts' new Aqualert 240 oil contamination monitor can detect oil concentrations down to 10 parts per million. The device can be used by edible oil processors to facilitate recycling of condensed steam. The continuously operating device automatically compensates for varying turbidity, constantly measuring visible and ultraviolet light spectrums through the sample steam. Information: Bull & Roberts Inc., 785 Central Ave., Murray Hill, NJ 97974.

- Eco, Inc., has introduced its Titrstat, a precision titrator with digital readouts for automatic or manual potentiometric and differential potentiometric titrations. Separate modules include the Model 234 Titrator, Model 233 Digital Burette, and Model 232 Digital Dispenser. Details: Dennis Crouse, Eco, Inc., 56 Rogers St., Cambridge, MA 02142.

- Allen-Bradley Co. is offering new solid state timing relays. Type RT has a self-contained adjustment potentiometer; Type RTR is for use with an external potentiometer. Details: Marketing Services Dept., Allen-Bradley Co., 1201 S. 2nd St., Milwaukee, WI 53204.

- Jarrell-Ash's Series 955 and 965 Inductively-Coupled Argon Plasma AtomComp Systems perform simultaneous multielement analysis quickly. Model 955 determines up to 30 elements simultaneously; Model 965 up to 48 samples. Details: Fisher Scientific Co., 590 Lincoln St., Waltham, MA 02154.



- Glas-Col Apparatus Co. has introduced its Cordtrol, a compact laboratory power control that eliminates the need for the standard cord on its metal-housed electrical heating mantles. Cordtrol is designed for use with Glas-Col's Series TM mantles, but also may be used with Series M. Mantles. Information: Glass-Col Apparatus Co., 711 Hulman St., Terre Haute, IN.

- Instrumental Laboratory Inc. has introduced its IL Plasma-100, a plasma spectrometer that can be programmed to determine any desired number of elements at any desired wavelengths. In operation, two rapid-scanning double-monochromators are driven by stepping motors from one wavelength to the next, with emission lines from a mercury source used as the wavelength reference. Details: Instrumentation Laboratory Inc., Jonspin Road, Wilmington, MA 01887.

- Neptune Mixer Co. is marketing its Series H mixer, designed to screw into a standard 2 in. bung opening on 55 gallon drums to mix fluids with viscosities up to 8000 centipoise. Information: Neptune Mixer Co., PO Box 247, Lansdale, PA 19446.

- Stokes has introduced its Model 264-PV Biological type freeze-dryer with 264 sq. ft. of shelf area at 4.25" clearance. The equipment can be sterilized with steam or ETO. Information: Stokes Division, Pennwalt Corp. 5500 Tabor Rd., Philadelphia, PA 19120.

- Information Handling Services of Denver is offering fast search and retrieval of Instrument Society of American standards. The service combined a hard-copy, computer-generated index with microforms of the full text of the standards (microfiche and microfilm formats available). Details: IHA, 15 Inverness Way East, Englewood, CO 80150.

- Union Carbide has published a 38-page booklet on Cellosize Hydroxyethyl Cellulose (HEC), a nonionic, water-soluble polymer that can be used to thicken, suspend, bind, emulsify, form films, stabilize, disperse, retain water or provide protective colloid action. Copies of Booklet F-40525H are available from Union Carbide, Corp., Chemicals & Plastics Dept., Dept. JLS, 19th Floor, 270 Park Ave., New York, NY 10017.

- Tuthill Pump Division has introduced Model 26EJ metering and/or dispensing pump constructed of 316 stainless steel. The unit is designed with an independent drive adaptor designed to take any drive (sheaves, gears, belts or direct coupling with standard speed motors). Capacity is 2.6 cc's per revolution with a top speed of 1725 rpm. Details: Tuthill Corp., Tuthill Pump Division, 12500 S. Pulaski Rd., Chicago, IL 60658.

- Ertel's ESP Pump uses Delrin, Ryton and Teflon for gear materials and is designed to handle virtually all chemicals, cosmetics, syrups and similar products. The unit is available for pressures up to 150 psi, flow rate from 1½ gpm to 50 gpm in seven sizes. Information: Ertel Engineering Co., 40 Front St., Kingston, NY 12401.

- Sensorex has a new pH electrode featuring a built-in, sealed, gel-filled reference electrode which never needs refilling. The Flat Surface Electrode, with four reference junctions around the flat surface, can be used to measure pH of solids such as meat, cheese, gel-plates, and pH of viscous materials such as a comminuted food, gels and syrup. Details: Sensorex, 9713 Bolsa Ave., Westminster, CA 92683.

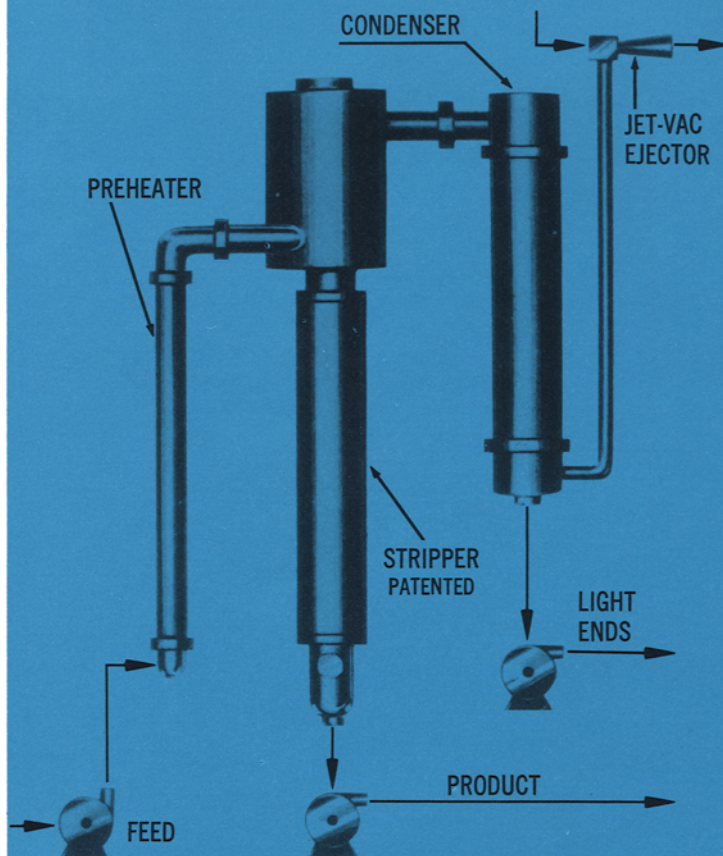
- Scientific Gas Products Inc. in marketing a series of two-stage regulators for noncorrosive gases, designed to give accurate pressure control over a wide range of inlet pressures down to 450 psi. Series R20 regulators are designed for use in chromatography and lab work where constant flow rates are required over long periods of time. Information: Scientific Gas Products Inc., 2330 Hamilton Blvd., South Plainfield, NJ 07080.

- Matheson Instruments has developed a new series of flowmeters to measure liquids or gases at rates of up to 5 gpm or 15 scfm, respectively. The FM-1100 Series are particularly designed to withstand physical abuse and environmental corrosion of industrial installations. Details: Matheson, 1275 Valley Brook Ave., PO Box 3, Lyndhurst, NJ 07071.

- Kontes' Delta-P Differential-Pressure Flowmeter combines a laminar-flow element with a built-in graduated manometer to measure gas flows quickly and accurately. Proper selection of manometer fluid and flow element can permit flows of less than 1 cc/min to above 50 liters/min to be read with ± 1% accuracy, the firm says. Details: Kontes, Spruce Street, Cineland, NJ 08360.

- Teledyne Analytical Instrument has introduced an explosion-proof, trace oxygen alarm system, Model 317. The unit is designed to warn of minute presence of oxygen in any systems that involve safeguarding processes and chemicals against air contamination in industrial environments. Information: TAI, 333 W. Mission Drive, San Gabriel, CA 91776. ●

## ARTISAN'S Evaporator Stripper



for Continuous Refining of...

- PLASTICIZERS
- VEGETABLE FATS & OILS
- ANIMAL FATS & OILS
- ESSENTIAL OILS
- NAVAL STORES
- PETROLEUM PRODUCTS
- POLYMERS
- RESINS
- WHAT HAVE YOU

CAPACITY RANGES:  
100 pounds to  
thousands of pounds per hour.



**ARTISAN  
INDUSTRIES  
INC.** Dept. M2

73 POND ST. WALTHAM, MASS. 02154  
TELEPHONE (617) 893-6800